



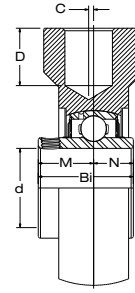
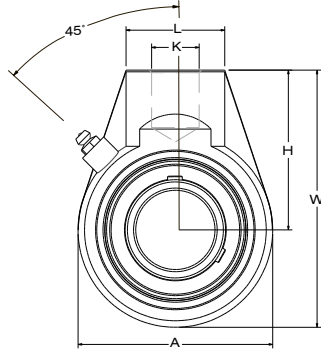
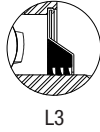
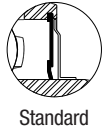
UCHA 200 SERIES

Normal-Duty Bearing Hanger Unit
Setscrew Lock

TURNER

Mounted Bearings

Available Seal Styles:



Bearing Number	Shaft Dia. d in. mm.	Dimensions in. mm.										Load Rating lbs. kN.		Bearing Insert	Housing Number	Weight lbs. kg.														
		A	W	C	H	L	D	K	Bi	N	M	Dynamic C _r	Static C _{or}																	
UCHA 201	12	2.52 64.0	3.78 96.0	0.00 0.0	2.52 64.0	1.57 40.0	0.75 19.1	PF 3/4	1.2205 31.0	0.5000 12.7	0.7205 18.3	2,883 12.82	1,496 6.65	UC 201	HA 204	1.7 0.8														
UCHA 201-8	1/2													UC 201-8																
UCHA 202	15													UC 202																
UCHA 202-10	5/8													UC 202-10																
UCHA 203	17													UC 203																
UCHA 204-12	3/4	UC 204-12																												
UCHA 204	20	UC 204																												
UCHA 205-14	7/8	3.07 78.0	4.06 103.0	0.00 0.0	2.52 64.0	1.57 40.0	0.75 19.1	PF 3/4	1.3425 34.1	0.5630 14.3	0.7795 19.8	3,155 14.04	1,810 8.05	UC 205-14	HA 205	1.9 0.9														
UCHA 205-15	15/16													UC 205-15																
UCHA 205	25													UC 205																
UCHA 205-16	1													UC 205-16																
UCHA 206-17	1 1/16													UC 206-17																
UCHA 206-18	1 1/8	3.07 78.0	4.06 103.0	0.00 0.0	2.52 64.0	1.57 40.0	0.75 19.1	PF 3/4	1.5000 38.1	0.6260 15.9	0.8740 22.2	4,377 19.47	2,569 11.43	UC 206-18	HA 206	1.9 0.9														
UCHA 206	30													UC 206																
UCHA 206-19	1 3/16													UC 206-19																
UCHA 206-20	1 1/4													UC 206-20																
UCHA 207-20	1 1/4													UC 207-20																
UCHA 207-21	1 5/16	3.62 92.0	4.57 116.0	0.00 0.0	2.76 70.0	1.57 40.0	0.75 19.1	PF 3/4	1.6890 42.9	0.6890 17.5	1.0000 25.4	5,775 25.69	3,497 15.56	UC 207-21	HA 207	2.6 1.2														
UCHA 207-22	1 3/8													UC 207-22																
UCHA 207	35													UC 207																
UCHA 207-23	1 7/16													UC 207-23																
UCHA 208-24	1 1/2													3.94 100.0			4.84 123.0	0.08 2.0	2.87 73.0	1.57 40.0	0.75 19.1	PF 3/4	1.9370 49.2	0.7480 19.0	1.1890 30.2	6,634 29.51	4,079 18.14	UC 208-24	HA 208	3.4 1.5
UCHA 208-25	1 9/16	UC 208-25																												
UCHA 208	40	UC 208																												
UCHA 209-26	1 5/8	UC 209-26																												
UCHA 209-27	1 11/16	4.25 108.0	5.35 136.0	0.20 5.0	3.23 82.0	1.89 48.0	0.83 21.0	PF1	1.9370 49.2	0.7480 19.0	1.1890 30.2	7,160 31.85	4,676 20.80		UC 209-27	HA 209												3.9 1.8		
UCHA 209-28	1 3/4													UC 209-28																
UCHA 209	45													UC 209																
UCHA 210-30	1 7/8													UC 210-30																
UCHA 210-31	1 15/16													4.69 119.0	5.59 142.5		0.20 5.0	3.27 83.0	1.89 48.0	0.83 21.0	PF1	2.0315 51.6	0.7480 19.0	1.2835 32.6	7,867 35.00	5,330 23.71	UC 210-31		HA 210	4.6 2.1
UCHA 210	50	UC 210																												
UCHA 210-32	2	UC 210-32																												
UCHA 211-34 †	2 1/8	5.59 142.0	6.81 173.0	0.35 9.0	4.02 102.0	2.36 60.0	1.10 28.0	PF1 1/4	2.1890 55.6	1.0000 25.4	1.3150 33.4	9,743 43.34	6,608 29.40			UCX 211-34											HA 211	8.5 3.9		
UCHA 211 †	55															UCX 211														
UCHA 211-35 †	2 3/16													UCX 211-35																
UCHA 212-36	2 1/4	5.59 142.0	6.81 173.0	0.35 9.0	4.02 102.0	2.36 60.0	1.10 28.0	PF1 1/4	2.5630 65.1	1.0000 25.4	1.5630 39.7	10,720 47.69	7,516 33.43	UC 212-36	HA 212	8.2 3.7														
UCHA 212	60													UC 212																
UCHA 212-38	2 3/8													UC 212-38																
UCHA 212-39	2 7/16													UC 212-39																
UCHA 214-43 †	2 11/16													6.54 166.0			7.87 200.0	0.37 9.5	4.61 117.0	2.76 70.0	1.26 32.0	PF 1 1/2	2.9370 74.6	1.1890 30.2	1.7480 44.4	13,981 62.19	9,869 43.90	UCX 214-43	HA 214	13.2 6.0
UCHA 214 †	70	UCX 214																												
UCHA 215-47	2 15/16	6.54 166.0	7.87 200.0	0.37 9.5	4.61 117.0	2.76 70.0	1.26 32.0	PF 1 1/2	3.0630 77.8	1.3110 33.3	1.7520 44.5	14,974 66.61	10,757 47.85	UC 215-47	HA 215	12.2 5.5														
UCHA 215	75													UC 215																
UCHA 215-48	3													UC 215-48																

† See attached page "Alternate Housing Numbers"

Alternate Housing Numbers

† Sometimes housings are used to make more than one type (i.e. duty level) of mounted bearing unit. For instance, a medium-duty housing (i.e. PX 00 series) might be used to create a normal-duty (i.e. P 200 series) unit.

For example, if you order a UCP 213 pillow block, you may receive a P213 Housing or a PX12 housing. These two housings are dimensionally identical.

The table below shows the catalog number (minus the shaft designation) and the two possible housing numbers.

LIST OF ALTERNATE HOUSING NUMBERS

Catalog Part Number*	Housing Number	Alternate Housing Number
UCP 213	P 213	PX 12
UCP 214	P 214	PX 13
HCAK 208	AK 208	P 208
HCAK 214	AK 214	PX 13
UCFX 05	FX 05	F 206
UCFX 06	FX 06	F 207
UCFX 07	FX 07	F 208
UCFX 08	FX 08	F 209
UCFX 09	FX 09	F 210
UCFX 10	FX 10	F 211
UCFX 11	FX 11	F 212
UCFX 12	FX 12	F 213
UCHA 211	HA 211	HA 212
UCHA 214	HA 214	HA 215
UCFCSX 05	FCSX 05	FCS 206
UCFCSX 06	FCSX 06	FCS 207
UCFCSX 07	FCXS 07	FCS 208
UCFCSX 08	FCXS 08	FCS 209
UCFCSX 09	FCXS 09	FCS 210
UCFCSX 10	FCXS 10	FCS 211
UCFCSX 11	FCXS 11	FCS 212
UCFCSX 12	FCXS 12	FCS 213
UCFCSX 13	FCXS 13	FCS 214
UCFCSX 14	FCXS14	FCS 215

*Minus shaft designation